

- The Parish Administrative Manager and the Parish Cemetery Board will ensure cemetery grounds are mowed and trimmed frequently.
- The internal access road will be made passable as soon as practical after each snow storm.
- The ground at the interment site will be seeded, tamped and leveled after the funeral wreaths and flowers have been removed and again after the ground has settled (approximately six weeks).
- Occasionally it is necessary for heavy equipment to cross existing sites in order to access a new grave site, causing settling or ground disturbance. These sites will be filled in, leveled and re-seeded as soon as practical.
- Families and friends, with the approval of the Parish Administrative Manager and the Cemetery Board, may purchase memorial benches, trees and other fitting memorials and have them installed at the cemeteries.

In all matters not specifically covered by these guidelines and regulations, the Parish Administrative Manager and Cemetery Board reserve the right to make decisions and determinations which will be binding upon the lot holder and all parties concerned.

The Parish Administrative Manager and Cemetery Board with approval of the pastor, retain the right at any time to amend, alter, change,

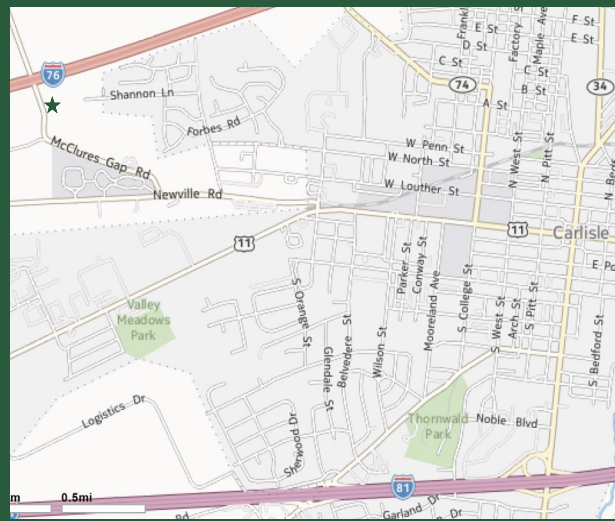
repeal, rescind or add to these Cemetery guidelines and regulations at their discretion for the improvement of the cemeteries. Deed holders will be notified of any such changes.

Suggestions, questions and concerns should be directed to the Parish Administrative Manager or the Cemetery Board at:

Saint Patrick Church
 152 East Pomfret Street
 Carlisle, PA 17013
 Phone: 717-243-4411 x120
 Fax: 717-258-9281
 E-mail: jdiaz@saintpatrickchurch.org

Directions to Saint Patrick McClure's Gap Cemetery

From the Shrine Church, proceed west on Pomfret to Hanover Street. Turn right one block to the Square (High Street or 641). Turn left. Proceed several blocks to Orange Street, turn right under the overpass, then take an immediate left onto 641 (Newville Road) to McClure's Gap Road. Turn right. At the stop sign, turn right again. Cemetery will be on your right.



Saint Patrick Cemetery

Guidelines and Regulations

Carlisle,
 Pennsylvania

717-243-4411

Saint Patrick Parish maintains two Catholic cemeteries, as sacred places for the interment of Catholics and as dignified and quiet places for reflection, prayer and appropriate remembrance of our loved ones.

The cemeteries are:

- Saint Patrick Cemetery at the Shrine Church, 152 East Pomfret Street. (no plots available)
- Saint Patrick Cemetery at McClure's Gap Road.

Oversight of the cemeteries is vested in the Parish Administrative Manager and a Saint Patrick Cemetery Board appointed by the pastor.

The Cemetery Board, with the approval of the pastor, has established guidelines and regulations for Saint Patrick Cemeteries. Deed holders are entitled to the use of, but not the ownership of cemetery plots. To maintain the dignity and the beauty of our cemetery, please observe the following directives. A complete copy can be obtained by contacting the Parish Office or from our Parish website at www.saintpatrickchurch.org. The following is a summary of these Guidelines and Regulations.

- At the time of purchase of a lot, one-half of the purchase price shall be placed in an interest bearing Diocesan fund. Interest from this fund will be used for maintenance and enhancements to the Saint Patrick Parish cemeteries. In the event a lot holder wishes to surrender a lot back to the Parish it can be donated or transferred to another with the approval of the Parish Administrative Manager.

- Interments and cremations shall be made in an approved outer container of crushproof concrete or other material approved by the Parish Administrative Manager.
- Remains from cremation shall require a regular interment site.
- During mowing season, April through October, please keep all flowers in plastic containers only. Cemetery personnel will remove all objects on plots that interfere with the care and maintenance of the grounds.
- No glass, metal or wire containers or stone of any kind are permitted.
- Only the family or the cemetery maintenance staff shall remove flowers or other memorial decorations from recent interment sites. Flowers and memorial decorations will be removed within seven days of interment.
- All monuments and memorials shall be reflective of our Catholic faith and incorporate a cross or other appropriate Christian symbol. Contact the Parish Administrative Manager if there are questions concerning an appropriate design for a memorial or monument.
- Flags will be placed on the interment sites of veterans the week before Memorial Day and will be removed within one week after the Fourth of July holiday.
- Fence, curbing, posts, hedges or steps are prohibited on any cemetery property unless installed by cemetery personnel.

- Flowers, plants or any other objects which will interfere with mowing or other routine maintenance of the cemeteries will be removed by the cemetery maintenance staff. Exceptions to this rule are: the date of interment, Easter, Mother's Day, Father's Day, Memorial Day, Veteran's Day, All Saints Day and All Soul's Day. Those who place flowers, plants or other objects at the interment site on these occasions are responsible for their removal within 7 days.
- Large baskets, bird feeders, trinkets, wind catchers, statues, candles, banners, stuffed animals, chimes, balloons, shepherds staffs, flags and flag holders (other than American flags), lights of any kind (including privately purchased solar or memorial lights) and other similar items are not permitted.
- Flowers, shrubs, plants and trees may not be planted on gravesites. All species of vine are prohibited.
- Evergreen blankets or other artificial grave coverings are not permitted.
- Should any memorial become unsightly, dilapidated, or a menace to the safety of persons within the cemetery, the parish staff shall have the right either to correct the condition or remove the same, in either case at the expense of the lot holder or his or her heirs, after 30 days notice to the lot holder of record.

Saint Patrick Cemetery

Guidelines & Regulations

Deed holders are entitled to the use of, but not the ownership of the cemetery plots. To maintain the dignity and the beauty of our cemetery, please observe the following Guidelines & Regulations:

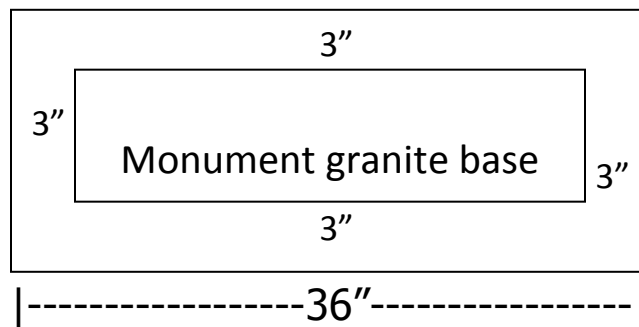
- Annual Clean-off dates are March 15th and November 15th of every year. **EVERYTHING** will be removed. There are no exceptions, and we are not responsible for any items discarded on these clean-off dates.
- During mowing season, April through October, please keep all flowers in plastic containers only. Cemetery personnel will remove all objects on plots that interfere with the care and maintenance of the grounds.
- No glass, metal or wire containers or stones of any kind are permitted.
- Landscaping, including planting, pruning, removal of trees or shrubbery is to be performed only by cemetery maintenance staff. Cemetery maintenance staff will remove dead, diseased, overgrown and unsightly trees and shrubs.
- Flags will be placed on the interment sites of veterans the week before Memorial Day and will be removed within one week after the Fourth of July.
- Flowers, plants or any other objects which will interfere with mowing or other routine maintenance of the cemeteries will be removed. Exceptions to this rule are: the date of interment, Easter, Mother's Day, Father's Day, Memorial Day, Veterans Day, All Saints Day and All Souls Day. Those who place flowers, plants or other objects at the interment site on these occasions are responsible for their removal within 7 days.
- Large baskets, bird feeders, trinkets, wind catchers, statues, candles, banners, stuffed animals, chimes, balloons, shepherds staffs, flags and flag holders (other than American flags), lights of any kind (including privately purchased solar or memorial lights) and other similar items are not permitted.
- We do not allow privately purchased benches of any type to be placed at or near a gravesite.
- Flowers, shrubs, plants and trees may not be planted on gravesites. All species of vine are prohibited.
- Evergreen blankets or other artificial grave coverings are not permitted.
- Fence, curbing, posts, hedges or steps are prohibited on any cemetery property unless installed by cemetery personnel.
- The Saint Patrick Parish Administrative Manager and Cemetery Board, with approval of the Pastor, retain the right at any time to amend, alter, change, repeal, rescind or add to these cemetery guidelines and regulations at their discretion, for the improvement of the cemeteries. Deed holders will be notified of any such changes.

SAINT PATRICK CEMETERY

MONUMENT STANDARDS

SINGLE GRAVESITE

Concrete foundation (base) not to exceed 36" in length including required 3" collar (margin).



DOUBLE GRAVESITE

Concrete foundation (base) not to exceed 60" in length including required 3" collar (margin).

